

TR 900

Height adjustable bathtub



Specifications

Length	2325 mm / 92"
Width	830 mm / 33"
Working Load Limit	150 kg / 330 lbs
Operating height range (bathtub)	600 - 1100 mm / 23" - 39"
Power supply	230 V, 50 Hz / 110 V, 60 Hz



Registered at Medical Products Agency, Sweden, as a MD Class 1 product, MDD 93/42EEC.

TR 900 - The Friendly Bath

The friendly functional design of the TR 900 integrated bathtub and panel makes it simple and convenient to operate. The smooth and soft design also makes it easy to keep clean and maintain. The extra width of the bathtub at the head end allows more space for arms and shoulders and is an advantage when shampooing. The double skin bathtub minimises heat loss. TR 900 is delivered with an adjustable footsupport.

The TR 900 whirlpool models improve the patient's well being. The relaxing whirlpool effect stimulates the circulation and assists in washing of the patient. The shower handle with its soft rubber outlet spray is easy to clean and gives a comfortable soft water dispersion when showering. The concealed shower handle is easily reached on the right hand side of the panel, but is out of the way when not in use.

The "hidden" cleaning system on the C models has a handle on the left hand side of the panel and is activated with a special safety on/off key. When not activated, the system is out of reach, to avoid improper use by patient or carer. With our experience, we have produced fingertip controls for the height adjustment and whirlpool system, the TR 900 simplifies the entire bathing cycle for staff.

The TR 900 Autofill bath models are even more simple and efficient for the staff to use. No waiting or observation time when prefilling the bathtub. The one touch unattended Autofill water system, prefilling the bathtub while patients are prepared for bathing. Just touch the bathtub filling symbol and set water temperature with the thermostatic mixing valve. If required, additional water can of course be added when the pre-set Autofill level is reached. TR 900 has easy fingertip symbol touch controls for showering and activating the whirlpool. Lighted display tells staff what's activated on the panel: Autofill, additional water, showering, temperature and whirlpool.



All TR 900 HiLo panels can be delivered with a Stainless Steel bathtub as option.

The Stainless Steel tub has the same functional design as the standard TR 900 glass fibre tub and is manufactured in high quality steel (EN 1.4301).

TR EQUIPMENT

TR EQUIPMENT AB P.O. Box 116, S-573 22, TRANÅS, SWEDEN
 TR GROUP INC. 903 WEDEL LANE, GLENVIEW, ILLINOIS 60025, USA
 TR EQUIPMENT UK LTD. 10 JURY STREET, WARWICK, CV34 4EW, ENGLAND

Phone: +46 140-38 50 60
 Phone: 800-752-6900
 Phone: +44 844 335 8386

Fax: +46 140-38 50 61
 Fax: 847-724-8566
 Fax: +44 844 335 8383

Hygiene Equipment Designed for People

www.trequipment.com



TR 900

Height adjustable bathtub



Features

The 3/4" (22mm) thermostatic mixing valve, the 3/4" internal piping and the double filling spouts give a good water flow and short filling time.

The digital LED thermometer shows the shower and bathtub filling water temperature and the Autofill models also show the still water temperature in the bathtub.

The cleaning system with yellow hose (see picture) is mixed with cold water to minimise inhalation of the cleaning mixture, which is pre-set at the factory to avoid unnecessary alteration.

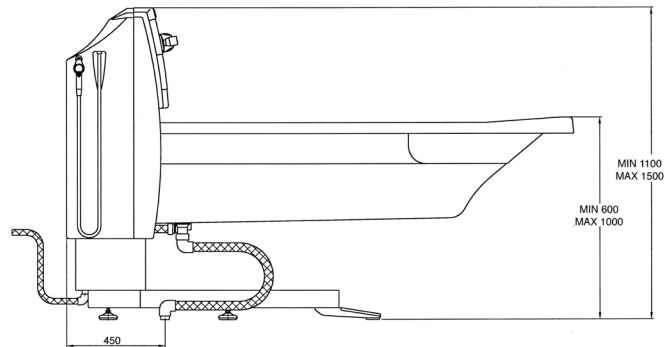
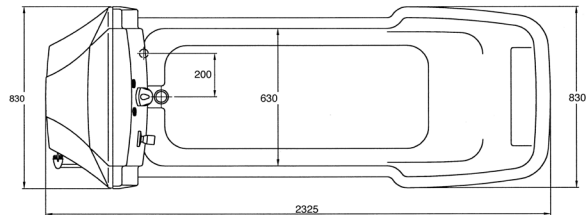
Unique whirlpool inlet cleaning adapter. The whirlpool bath models allow you to regulate both jet direction and the quantity of air.



Integrated with the TR 9560 Mobile patient combilift the system provides a safe moving and handling for both patient and attendant. During the bathing cycle the client never leaves the comfort and security of the chair or stretcher.



TR 900 Autofill model



Bath models:

TR 900	Standard
TR 900 C	Cleaning System
TR 900 CW	Cleaning and Whirlpool System
TR 900 A	Autofill
TR 900 CA	Cleaning and Autofill
TR 900 CWA	Cleaning, Whirlpool and Autofill

Options

Bathtub and panel can be packed as two units (one crate and one box)

Accessories

- Transport wheel beam and set of loading ramp
- Installation set TR 900
- Installation set TR 900C/TR 900CW
- Head pillow

TR reserves the right to make design changes and/or improvements without notice

Distributor:

TR EQUIPMENT

TR EQUIPMENT AB P.O. Box 116, S-573 22, TRANÅS, SWEDEN
 TR GROUP INC. 903 WEDEL LANE, GLENVIEW, ILLINOIS 60025, USA
 TR EQUIPMENT UK LTD. 10 JURY STREET, WARWICK, CV34 4EW, ENGLAND

Phone: +46 140-38 50 60
 Phone: 800-752-6900
 Phone: +44 844 335 8386

Fax: +46 140-38 50 61
 Fax: 847-724-8566
 Fax: +44 844 335 8383

Hygiene Equipment Designed for People

www.trequipment.com

