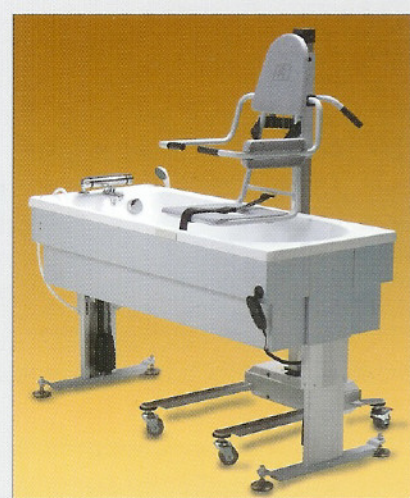




TR 1700 Lyric Height Adjustable Bath System

Our newest addition, the TR 1700 was specifically designed to optimize your small space without sacrificing function and efficiency. Ideal for hospitals, nursing homes, and private homes who have limited space and require a fully functioning bathing system.

The bath raises and lowers to find the ideal working height for the attendant, reducing heavy lifting and bending, fatigue and risk of back injury. Clearance below the tub allows the use of many different types of hoists and for floor cleaning.



The TR 1700 Lyric raises quietly and quickly. The hand control for raising and lowering can be operated from either side of the bathtub.

A pop-up drainage closes and opens by turning the overflow valve. No hands in water.

The factory mounted thermostatic mixer regulates both the bathtub filling as well as the shower water temperature.

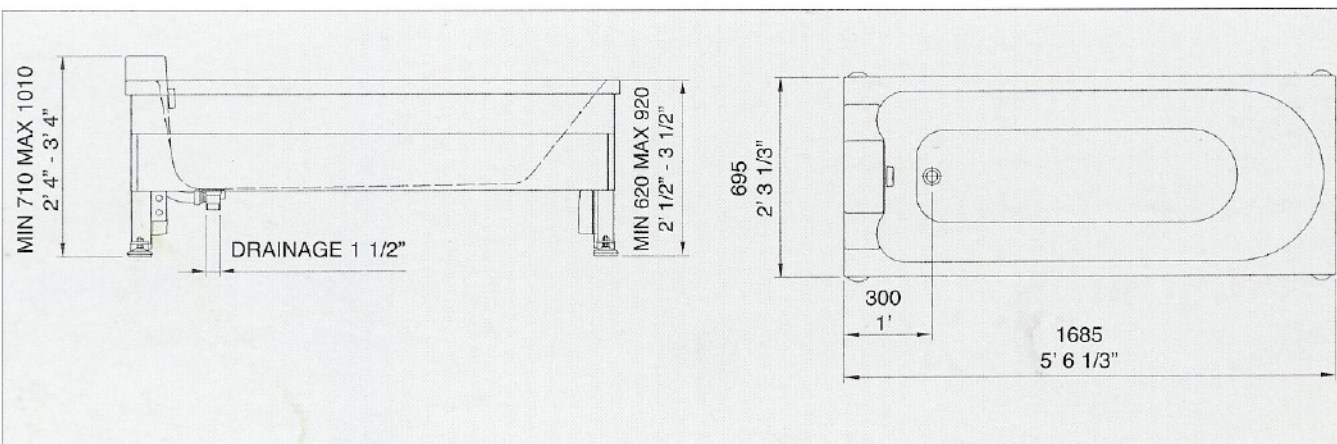
The shower handle has a soft rubber outlet nozzle which is easy to clean and gives comfortable soft water dispersion.

Integrated with the TR Lift Hygiene Chair the system provides a safe, moving and handling for both client and attendant. For orientated bathing cycle the client never leaves the comfort and security of the chair during the entire cycle.

The bathtub is made of glass-fibre gelcoated, the frame and skirts are made of powder coated steel.

Wall or floor drainage.

Adjustable feet when uneven floor surfaces.



MODELS:

TR 1700 Bathtub including thermostat mixer and shower.
Art no.05191701

TR 1700 Bathtub. Thermostat provided by others.
Art no.05191700

OPTION:

Risk 5 compatibility as required.
Different colours available on request.

Standard electrical requirement is: 230 volts, 50 Hz and 6 Amps. IP65. Also available in 110 volts, 60 Hz and 6 Amps.

Installation drawings sent on request.

Please, ask to see our leaflets on our TR 900 Height Adjustable Bathtub, Transport Lift System, Shower Trolley and Shower Panel.

TR reserves the right to make design changes and/or improvements without notice.

DISTRIBUTOR

MANUFACTURER



TRANÅS ROSTFRIA AB

P.O. BOX 116 S-573 22 TRANÅS, SWEDEN
PHONE + 46 140-38 50 60. FAX + 46 140-38 50 61
A SUBSIDIARY COMPANY WITHIN TR EQUIPMENT AB
www.trequipment.se
E-mail: info@trequipment.se